

## LMO Spring Seal Series Filter Housings

### Self-Adjusting Sealing Device Ensures Positive Filter Cartridge Seal

- Provides positive sealing of non-compressible filters<sup>1</sup> such as pleated, carbon, metallic, and membrane cartridges
- Accepts 10.2 cm (4 in), 25.4 cm (10 in), 50.8 cm (20 in), or 76.2 cm (30 in) DOE filter cartridges<sup>2</sup>
- O-ring head and shell seal minimizes fluid leakage
- In-line inlet and outlet connections for easy installation
- Cast iron and carbon steel, brass and 316 stainless steel, or all 316 stainless steel materials of construction

### Housing Specifications

#### Maximum operating pressure

12.1 bar (175 psig) @ 93°C (200°F)

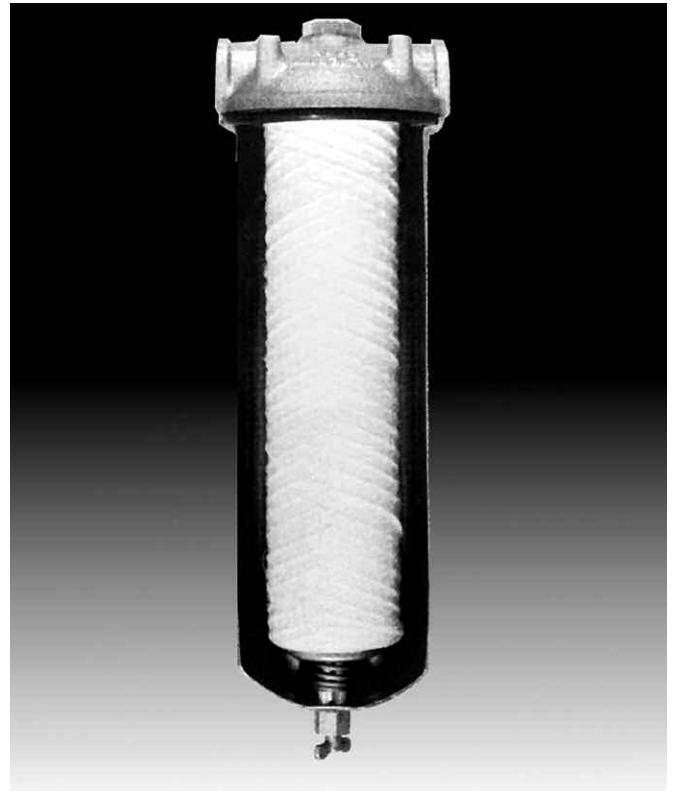
Construction	Head <sup>3</sup>	Shell
LMOSS:	Cast iron <sup>4</sup>	carbon steel
LMOSS B:	Cast brass	316 stainless steel
LMOSS S:	Cast 316 stainless steel	316 stainless steel

#### Connections

Inlet/Outlet:	½", ¾", or 1" NPT
Drain:	LMOSS: Drain plug, carbon steel, ¼" NPT
	LMOSS B: Petcock, brass, ¼" NPT
	LMOSS S: Drain plug, 316 stainless steel, ¼" NPT

**Shell O-rings** Ethylene propylene (standard), nitrile, FEP, fluorocarbon elastomer, neoprene, silicone elastomer

**Spring seal O-rings** FEP (standard), ethylene propylene



**Cover nut O-ring** FEP

#### Bracket option

Nickel plated steel brackets are available for all models.

#### T-Handle option

T-handle cover nuts are available in carbon steel or 316 stainless steel. Standard units are supplied with hex nuts.

#### Flange option

150 lb. ANSI raised face flanges are available on the 316 stainless steel units only.

<sup>1</sup> The LMO Spring Seal Series housing is not recommended for metallic cartridges. For metallic cartridges use the LMO Vari-Seal™ housing only.

<sup>2</sup> When fitting with 10.2 cm (4 in) DOE filters, please order filters under Code 550 to assure proper fit.

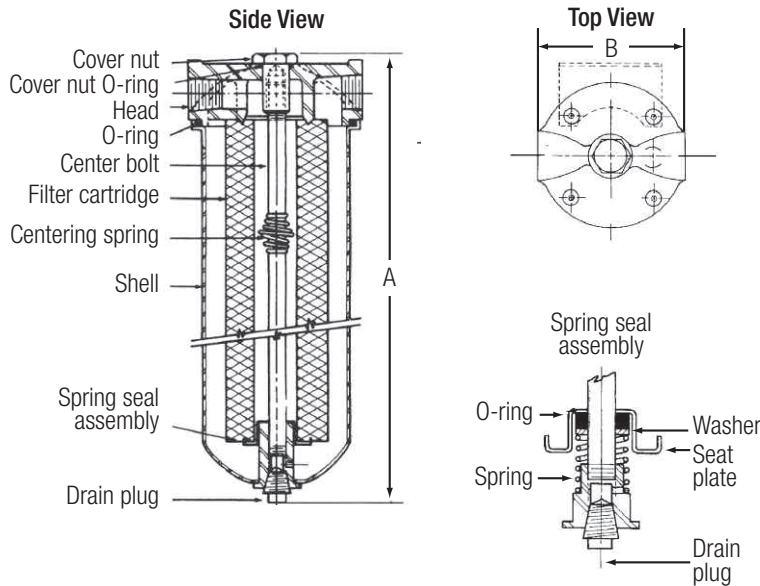
<sup>3</sup> Housing head has mounting bosses which accept self-tapping screws.

<sup>4</sup> Painted exterior for cast iron.

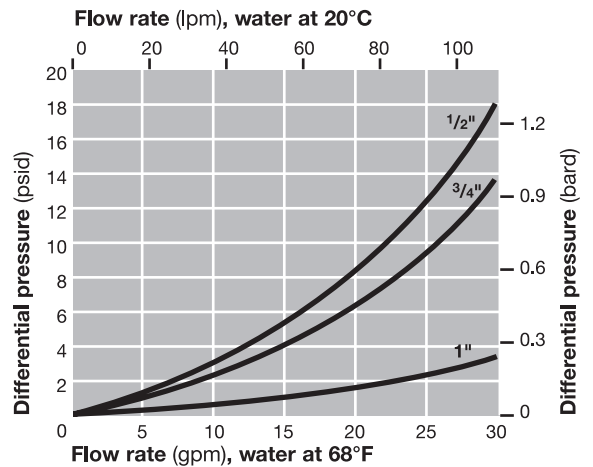
## Dimensional Data (nominal)

Model	Connecton Size			Flow Rate <sup>5</sup> lpm (gpm)	Dimensions cm (in)		Sealing Distance cm (in)	Weight kg (lb)
	½"	¾"	1"		A	B		
LMOSS10		X	X	to 37.9 (10)	34.3 (13.5)	12.1(4.75)	24.8 - 25.6 (9.75 - 10.06)	3.1 (6.75)
LMOSS20		X	X	to 75.7 (20)	59.7 (23.5)	12.1(4.75)	50.2 - 51.1 (19.75 - 20.13)	4.1 (9)
LMOSS10B	X	X	X	to 37.9 (10)	34.3 (13.5)	12.1(4.75)	24.8 - 25.6 (9.75 - 10.06)	3.1 (6.75)
LMOSS20B		X	X	to 75.7 (20)	59.7 (23.5)	12.1(4.75)	50.2 - 51.1 (19.75 - 20.13)	4.1 (9)
LMOSS10S	X	X	X	to 37.9 (10)	34.3 (13.5)	12.1(4.75)	24.8 - 25.6 (9.75 - 10.06)	3.1 (6.75)
LMOSS20S		X	X	to 75.7 (20)	59.7 (23.5)	12.1(4.75)	74.9 - 76.7 (19.5 - 20.125)	4.1 (9)
LMOSS30B			X	to 113.6 (30)	85.1 (33.5)	12.1(4.75)	49.5 - 51.1 (29.5 - 30.19)	5.1 (11.25)
LMOSS30S		X	X	to 113.6 (30)	85.1 (33.5)	12.1(4.75)	49.5 - 51.1 (29.5 - 30.19)	5.1 (11.25)

<sup>5</sup> Dependent upon cartridge selection, fluid viscosity and allowable pressure drop at various flow rates. Refer to cartridge nomograph to determine initial pressure drop of filter cartridge.

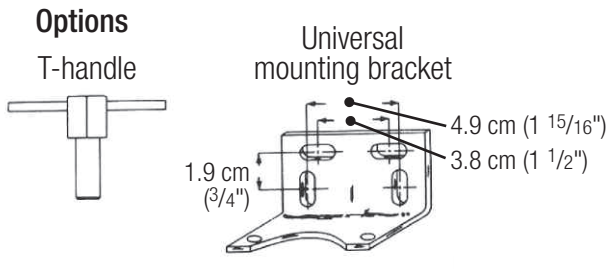


## Housing Differential Pressure vs. Liquid Flow Rate



Unit Conversion: 1 bar = 100 kPa

For liquids other than water, multiply differential pressure by specific gravity.



## Ordering Information

Pall Part Number = LMOSS 1 2 - 3 4

**Table 1**

Code	Cartridge lengths (cm/in)
4 <sup>2</sup>	10.2/4
10	25.4/10
20	50.8/20
30	76.2/30

**Table 2**

Code	Materials of construction
Blank	Cast iron and carbon steel
B	Cast brass and 316 stainless steel
S	316 stainless steel

**Table 3**

Code	Connection sizes
1/2	1/2"
3/4	3/4"
1	1"

**Table 4**

Code	Connection styles
Blank	NPT
F	Flange <sup>6</sup>

<sup>6</sup> Flanges on the LMOSS S are welded to the cast head. Flanges are not available on the LMOSS B or LMOSS models.



25 Harbor Park Drive  
 Port Washington, NY 11050  
 +1 516 484 3600 telephone  
 +1 800 289 7255 toll free US

### Visit us on the Web at [www.pall.com](http://www.pall.com)

Pall Corporation has offices and plants throughout the world. For Pall representatives in your area, please go to [www.pall.com/contact](http://www.pall.com/contact).

Please contact Pall Corporation to verify that the product conforms to your national legislation and/or regional regulatory requirements for water and food contact use.

Because of technological developments related to the products, systems, and/or services described herein, the data and procedures are subject to change without notice. Please consult your Pall representative or visit [www.pall.com](http://www.pall.com) to verify that this information remains valid.

© Copyright 2009, 2011, Pall Corporation. Pall, , and Vari-Seal are trademarks of Pall Corporation. ® indicates a trademark registered in the USA. **Filtration. Separation. Solution.** and **ENABLING A GREENER FUTURE** are service marks of Pall Corporation.