



DFA™-EZ Filter Assembly¹



Description

The DFA™-EZ compact filter capsule assembly is designed for small volume processing. The configuration allows for quick, safe and simple filter change-outs and easy maintenance. It is ideally suited for point-of-use filtration of photoresists, various slurries and other compatible liquids.

- In-line flow path with minimal dead space
- One-step quick disconnect filter replacement
- The Profile® depth filter media is ideally suited for the removal of gels, aggregates and oversize particles
- Capsule design prevents incorrect orientation and installation
- Nozzle connections can be readily removed for cleaning
- Compact size
- Ease of use minimizes down-time
- Minimizes operator exposure to solvents
- Small footprint permits installation in narrow confines

Specifications

Materials

Filter Capsule

- Medium: Polypropylene
- Core, cage, end caps, support, drainage and housing: Polypropylene
- End seal/Side seal: Heat sealed
- O-ring options: EPDM, Perfluoro-elastomer

Head Manifold

- Frame: SUS 304 (FEP coated)
- Connection Nozzles: Polyethylene

Removal Ratings

- 1.5 µm, 3 µm, 5 µm

Operating Conditions

- Maximum Operating Temperature: 38°C
- Maximum Operating Pressure: 0.19 MPa @ 38°C

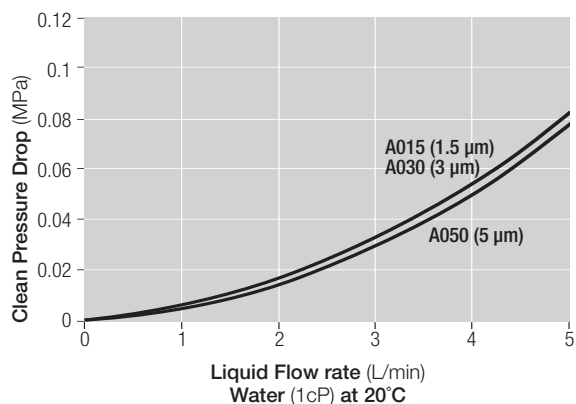
Connections

- Inlet/Outlet: 6 mm Swagelok² compatible, ¼" Swagelok compatible
- Vent/Drain: 6 mm Swagelok compatible, ¼" Swagelok compatible

¹ This product is only available in Asia.

² Swagelok is a trademark of Swagelok Co.

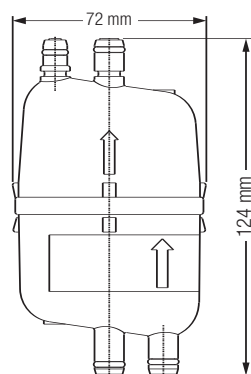
Pressure Drop vs. Liquid Flow Rate³



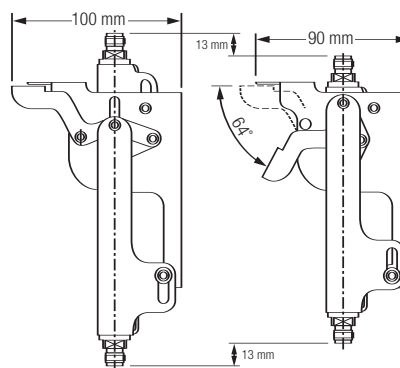
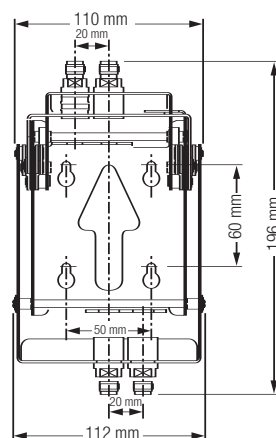
³ For liquids with viscosity differing from water, multiply the pressure drop by the viscosity in centipoise.

Dimensions

Filter Capsule



Head Manifold



Part Numbers/Ordering Information

Filter Capsule

Part Number	Removal Rating (µm)	O-Ring Material
DEZ1A015FJ	1.5	EPDM
DEZ1A015FH23	1.5	Perfluoro elastomer
DEZ1A030FJ	3	EPDM
DEZ1A030FH23	3	Perfluoro elastomer
DEZ1A050FJ	5	EPDM
DEZ1A050FH23	5	Perfluoro elastomer

Head Manifold

Part Number	Connection : Inlet/Outlet	Connection : Vent/Drain
DH1SW66M	6 mm Swagelok compatible	6 mm Swagelok compatible
DH1SW44	¼" Swagelok compatible	¼" Swagelok compatible

Spare Parts (Connection Nozzles)⁴

Part Number	Connection : Inlet/Outlet	Connection : Vent/Drain
F-DH-SW66M	6 mm Swagelok compatible	6 mm Swagelok compatible
F-DH-SW44	¼" Swagelok compatible	¼" Swagelok compatible

⁴ Connection nozzles contain all 4 pieces for inlet, outlet, vent and drain.

Specifications and availability: The information provided in this literature was reviewed for accuracy at the time of publication.

Product availability may be subject to change without notice.

For current information, consult your local Pall office or distributor.



Microelectronics

2200 Northern Boulevard
East Hills, New York 11548-1289 USA
1.800.360.7255 toll free (Only in US)
1.516.484.5400 phone
1.516.625.3610 fax

United Kingdom

Europa House
Havant Street
Portsmouth, Hampshire
PO1 3PD
023 92 303303 Phone
023 92 302506 Fax

Nihon Pall Ltd

6-8-1, Nishishinjuku, Shinjuku-ku,
Tokyo 163-6017 Japan
81.3.6901.5710 Phone
81.3.5322.2109 Fax

Pall Korea Ltd.

4th Floor Il-dong Bldg. 968-5
Daechi-3dong, Gangnamgu
Seoul, 135-736 Korea
82.2.560.7858 Phone
82.2.560.7890 Fax

Pall Filter(Beijing)Co.,Ltd.

Shanghai Office
1008-1014, 10/F, Tower A
City Center of Shanghai, No. 100
Zunyi Road, Changning District
Shanghai 200051 P.R. China
86.21.6237.1988 Phone
86.21.6237.2088 Fax:

Pall Filtration Pte Ltd.


17 Changi Business Park Central 1
#06-01/04, Honeywell Building
Singapore, 486073
+65 6389 6500 Phone
+65 6388 8688 Alternate Phone
+65 6389 6501 Fax

Pall Filtration Pte Ltd.

Taipei Liaison Office
11F-3, 207 Tun Hwa North Road
Taipei 10595, Taiwan
886.2.2545.5991 Phone
886.2.2545.5990 Fax

Visit us on the Web at www.pall.com/micro

Pall Corporation has offices and plants throughout the world.

© Copyright 2005, Pall Corporation. Pall, , Ultipleat is a trademark of Pall Corporation. ® Indicates a Pall trademark registered in the USA. Filtration. Separation. Solution.SM is a service mark of Pall Corporation.

Filtration. Separation. Solution.SM